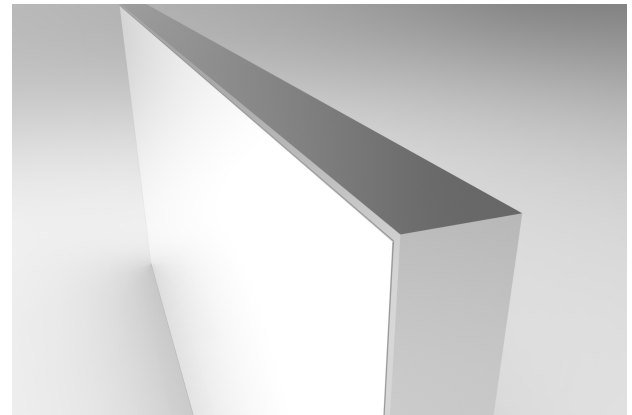
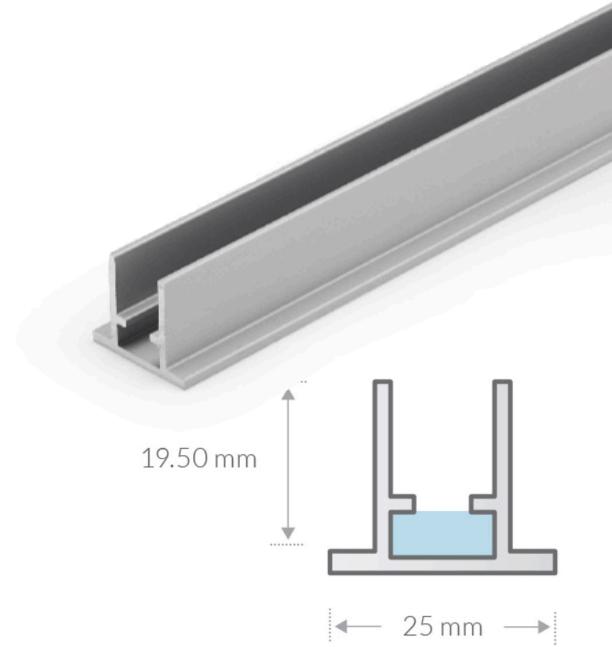


Double Side I-Sign Type

25mm Profile - Nonlit application

WALL MOUNT | SUSPENDED | NON-LIT | BOTH SIDE VIEWING

This profile is ideal for a both sided acrylic signage with suspended or wall mount mechanism. The acrylic can be pasted with a 3M tape on both sides of the profile. The application is in hospitals, malls, airports, metros, corporate offices, retail shops.



Product Specifications

Profile	Double side I-Sign Type Profile 25mm
Depth , Thickness	Width of the profile is 25mm and 2mm wall thickness of the profile
Finish	Silver Anodised or powder coated
Length	4m length
Lighting	Non-lit applications
Print Media	ACP, acrylic 3m pasted from the back