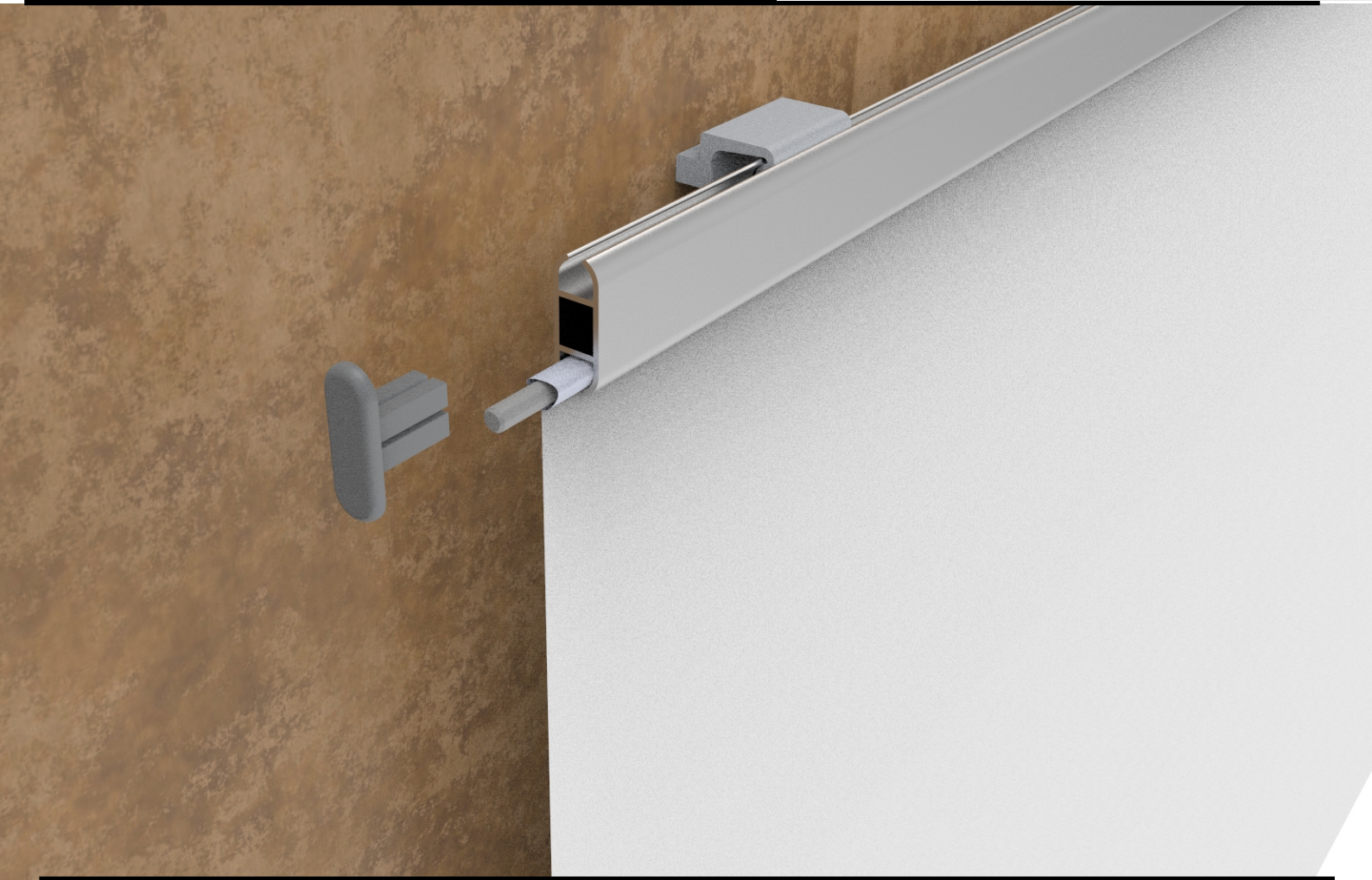
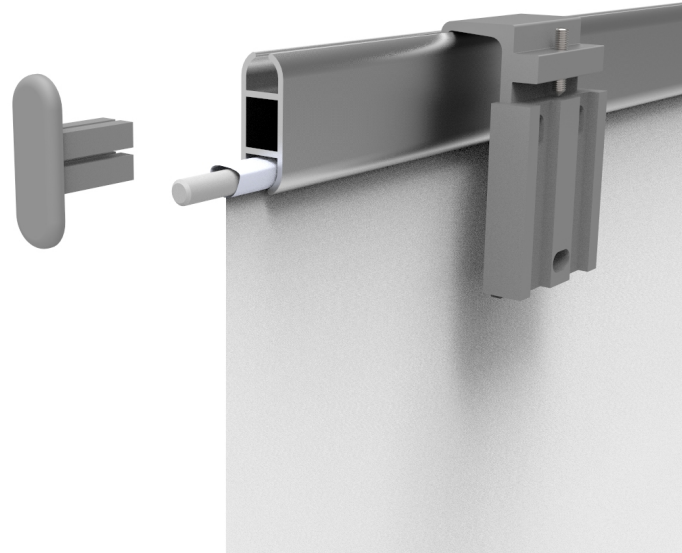


Capsule Clamp System

Capsule Clamp for outdoor

WALL MOUNT | SINGLE SIDE | NON
LIT | LARGE FORMAT PRINTS

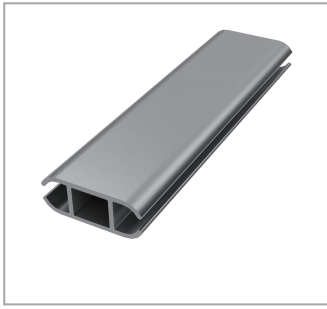
Small 16mm round profile is best used as a small hanging banner. These are easy to change and replace flex/fabric prints. The top and bottom of the flex/fabric is looped and inserted with a kedar to hang the print.



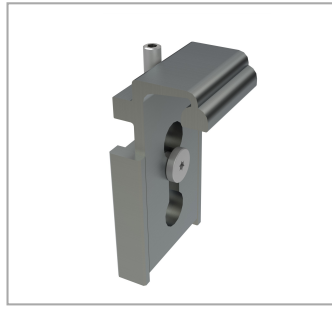
Product Specifications

Profile	Capsule Profile Flat
Standard Sizes	Can be used in multiple sizes
Print	Single Side looped fabric / flex

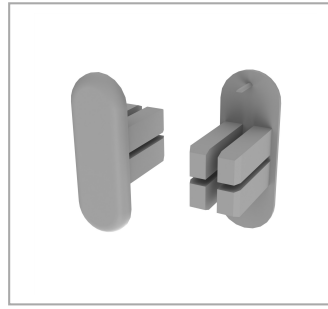
FRAME SPECIFICATIONS



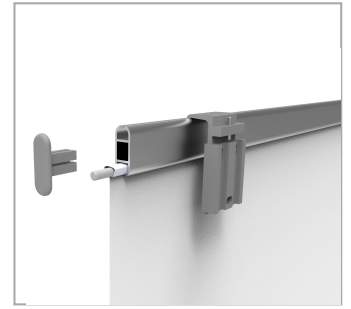
Capsule Profile



Tension Clamp

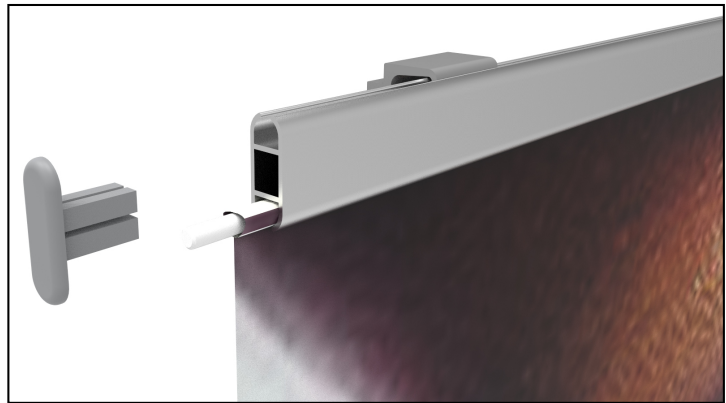
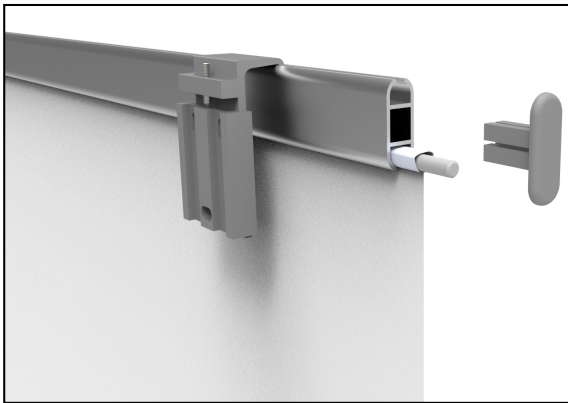


Capsule Profile
Endocarp



Tensioning System

ASSEMBLY PICTURES



ADVANTAGES

- Extremely easy to assemble
- Large format tensioning system
- Outdoor fascades
- Simple to install prints