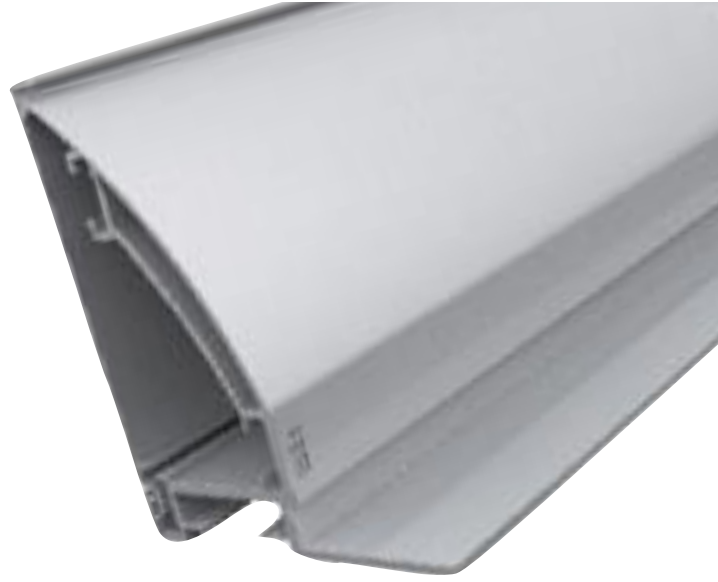


# Outbox Seamless

Side Open - 80mm

WALL MOUNTED | SIDE CLIP-ON |  
SEAMLESS | LARGE FORMAT | OUTDOOR

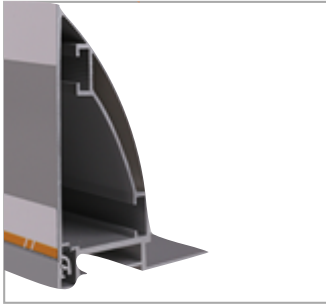
OUTBOX SEAMLESS SIDE-OPEN is a clever design which opens from the side. This provides a seamless backlit look to the frame. The frame is available in silver anodised or common RAL powder coating colours. The inner mechanism is "eyelet & Cable Ties" to fix the print to the structure.



## Product Specifications

Profile	Outbox Seamless Side open 80mm
Finish	Silver Anodised / Black/ white powder coating. Can be customised to RAL Colour
Fabric/Textile	PU coated Polyester Backlit Fabric 160GSM with Silicone/PVC strip
Printing	UV printing Roll-to-Roll / Hybrid printer upto 10 feet - Backlit Profile
LEDs / Driver / SMPS	Edge LED bars on side profiles, SMPS - 100W,150W, 200W, 300W
Warranty	2 year warranty
Input / Output Voltage	240 VAC / 12V DC output from SMPS
Power Consumption	10-13W / sq.ft
Brightness	Lux Range - 1000-1100 @ print surface

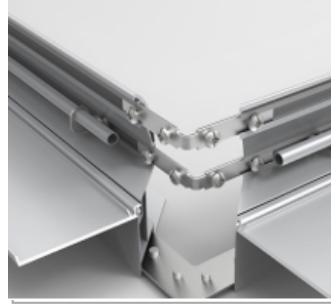
## FRAME SPECIFICATIONS



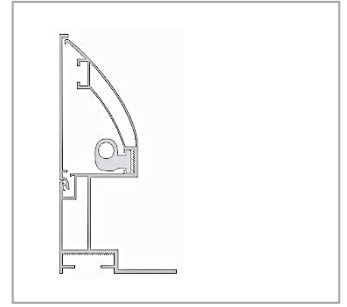
Profile Cross-section



45 degree cut with jointers



Clip open or flip on mechanism



Profile crosssection

## LED & SMPS SPECIFICATIONS

**LEDs:** Rigid Bars with 15W/m  
6500K

**LUMENS:** 1000-1300 LUX @ surface of print

**Warranty:** 2 years



**SMPS:** 200W -400W Capacity

**Warranty:** 2 years

**Design:**

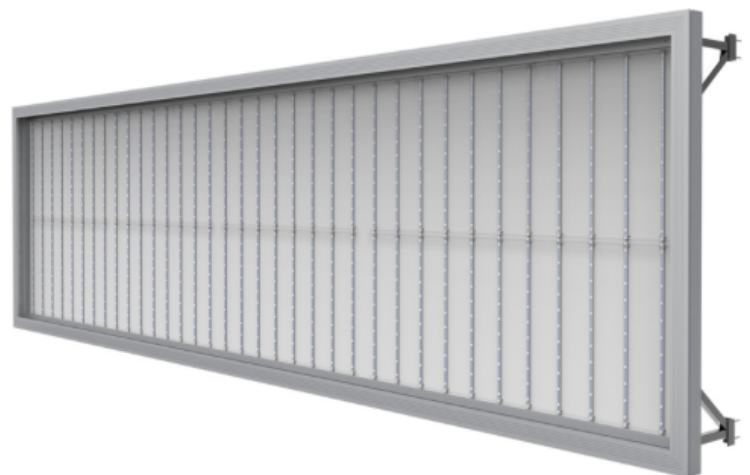
**Constant Voltage & Constant Current output**

**Built-in PFC function**

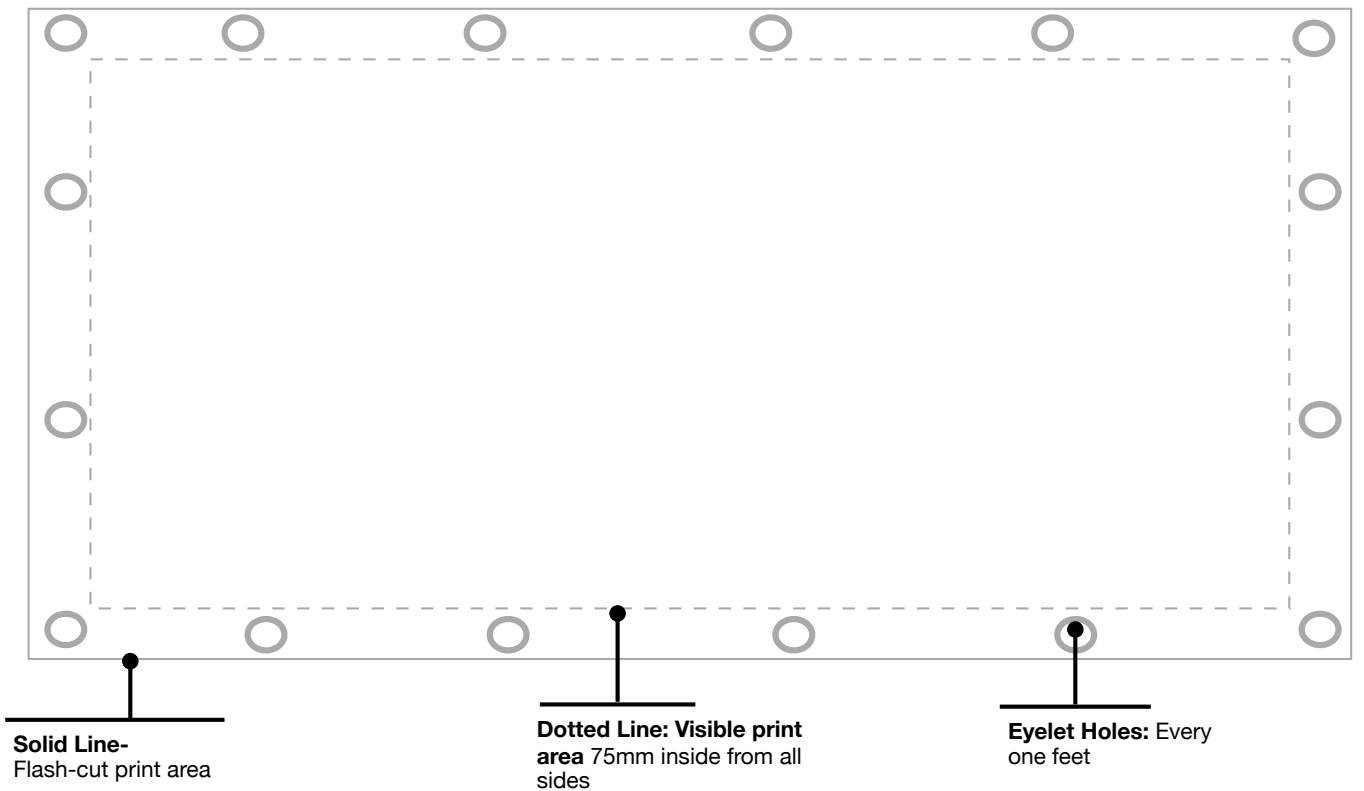
## MOUNTING SPECIFICATIONS

### SITE PRE-REQUISITES

- Sturdy concrete wall, brick wall or MS framing
- Load-bearing capacity of the wall
- MS structure or construction if required
- Height and width reece of the site-location
- Power connection for drilling and installation
- Permanent AC power connection for the lightbox
- Safety and precautionary reece



# PRINT SPECIFICATIONS



## Frame to Print Calculations:

Flash Cut Print size in (mm) : (Width of Frame) X (Height of Frame)

Visible print area in (mm) : (Width of Frame - 75mm) X (Height of Frame - 75mm)

## PRINT TEMPLATE:

